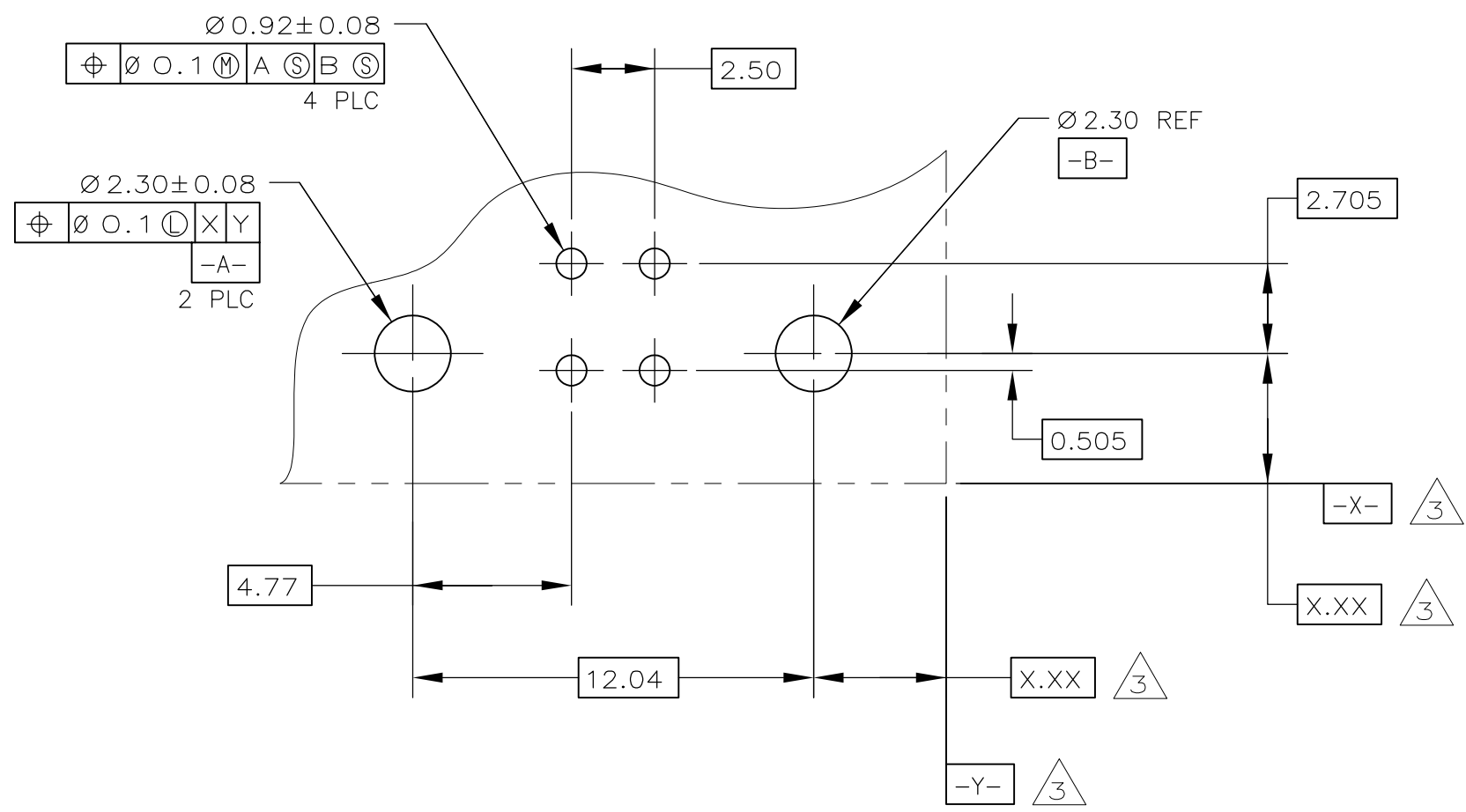
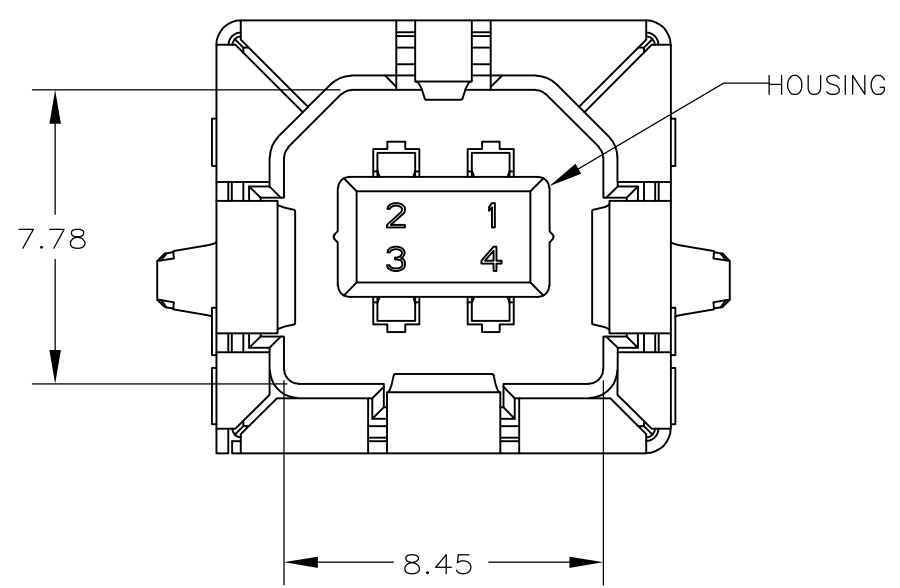


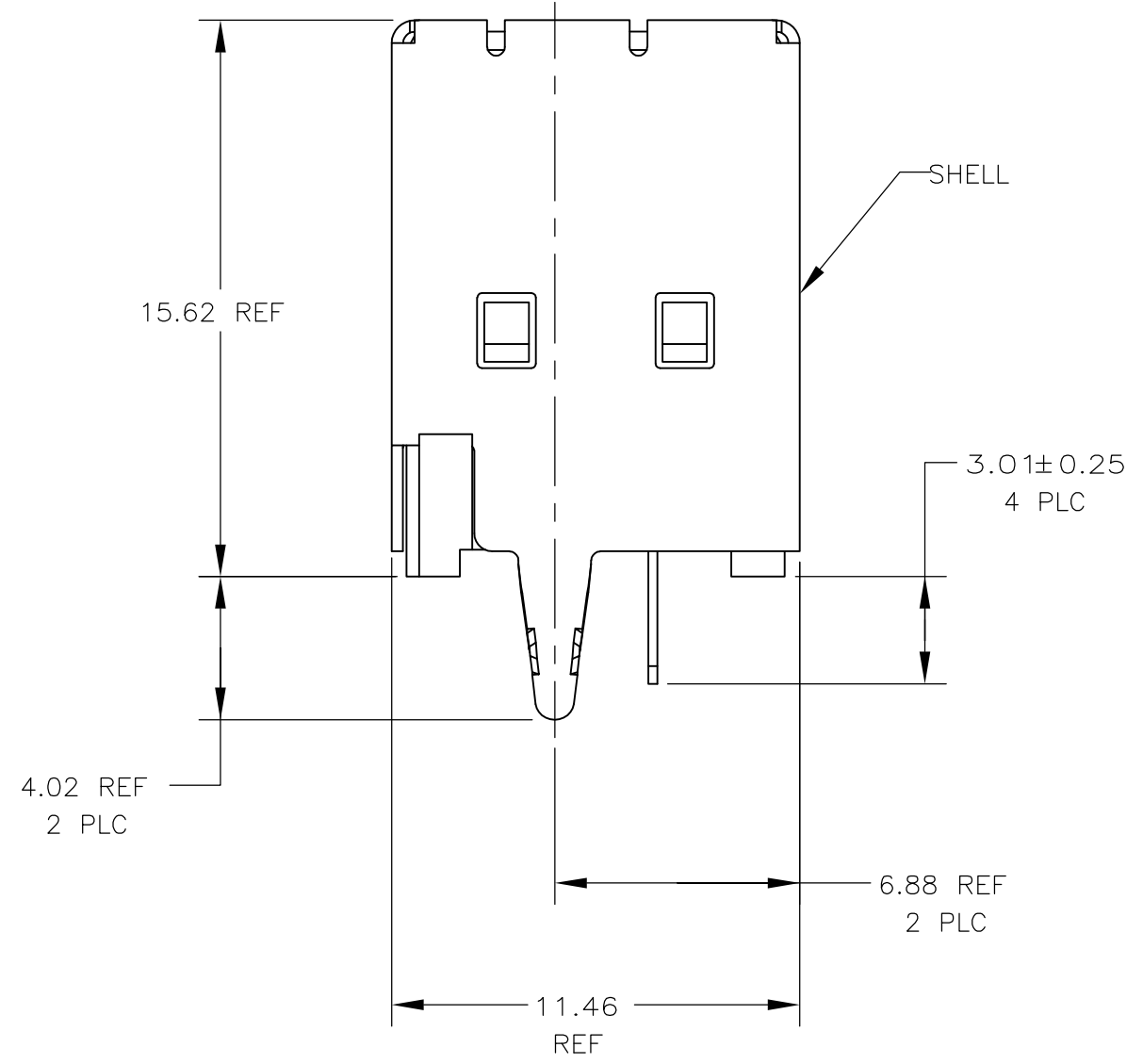
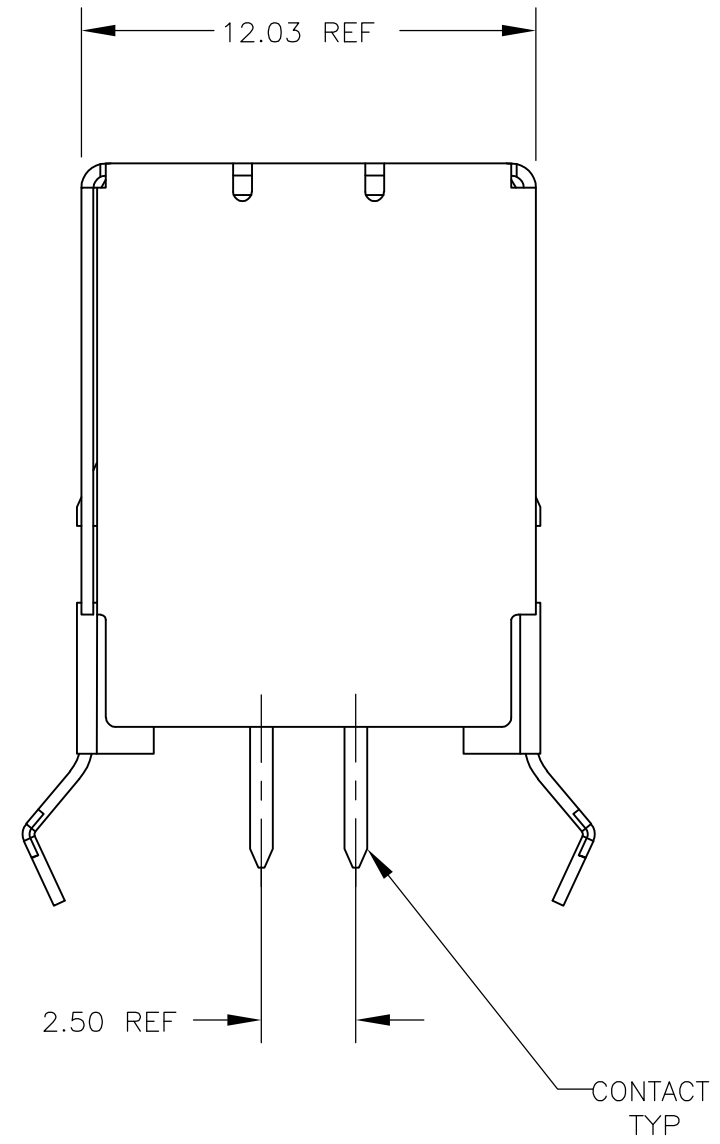
THIS DRAWING IS UNPUBLISHED. RELEASED FOR PUBLICATION  
 © COPYRIGHT - By - ALL RIGHTS RESERVED.

LOC		DIST		REVISIONS			
P	LTR	DESCRIPTION		DATE	DWN	APVD	
ES	00	A1	REVISED PER ECO-11-005033		24MAR11	RK	HMR



LEAD FREE

PC BOARD MOUNTING DIMENSIONS



- 1 MATERIAL:  
SHELL & CONTACTS - COPPER ALLOY.  
HOUSING - UL 94V-0 RATED, THERMOPLASTIC, FOR COLOR SEE TABLE.
- 2 PLATING:  
CONTACTS - 0.076um MINIMUM GOLD OVER 0.76um MINIMUM PALLADIUM-NICKEL ON MATING AREA, 3.8um MINIMUM MATTE TIN ON SOLDER TAILS, BOTH OVER 1.27um MINIMUM NICKEL.  
CONTACT ALTERNATE PLATING: 0.76um MINIMUM GOLD ON MATING AREA, 3.80um MINIMUM MATTE TIN ON SOLDER TAILS, BOTH OVER 1.27um MINIMUM NICKEL.  
SHELL - 2~5um MINIMUM BRIGHT TIN.
- 3 DATUM AND BASIC DIMENSIONS ESTABLISHED BY CUSTOMER.
- 4 RECOMMENDED PC BOARD THICKNESS OF 1.57mm.

NATURAL	0-5787834-2
BLACK	0-5787834-1
HOUSING COLOR	PART NUMBER

THIS DRAWING IS A CONTROLLED DOCUMENT.		DWN Ivanov Wang 28MAY2004	<b>TE</b> TE Connectivity	
DIMENSIONS: mm		CHK Steven Yao 28MAY2004		
TOLERANCES UNLESS OTHERWISE SPECIFIED:		APVD Takinori Sasaki 28MAY2004	NAME	
0 PLC ± -		PRODUCT SPEC	RECEPTACLE ASSY, 4 POS.	
1 PLC ± 0.1		APPLICATION SPEC	VERTICAL, THRU-HOLE, TYPE B	
2 PLC ± 0.05		WEIGHT	UNIVERSAL SERIAL BUS	
3 PLC ± 0.013		SCALE	SIZE A2	CAGE CODE 00779
4 PLC ± -		FINISH	DRAWING NO	RESTRICTED TO
ANGLES ± -		CUSTOMER DRAWING	C=5787834	-
FINISH		SCALE 5:1	SHEET 1 of 1	REV A1